

**LEGEND**

SD-35362-\*\*\*\*  
 CKT NO. \_\_\_\_\_ COLOR \_\_\_\_\_

FINAL GOOD (BULK) 5 : SELECTIVE KINK (LEAD FREE)  
 6 : NONE KINK (LEAD FREE)

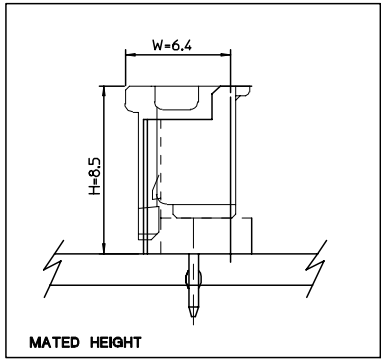
SUB ASSY (TUBE) 7 : SELECTIVE KINK (LEAD FREE)  
 8 : NONE KINK (LEAD FREE)

0 : NATURAL  
 1 : BLACK  
 2 : RED  
 3 : YELLOW  
 4 : BLUE  
 5 : GREEN  
 6 : TUBE PACKING (Natural Color)  
 7 : TUBE PACKING (Red Color)  
 8 : TUBE PACKING (Blue Color)

- NOTES**
- ① MATERIAL : UNFILLED POLYAMIDE, UL94V-0  
 PIN : BRASS, TIN PLATED
  2. FINISHES : TERMINAL : Sn 2-3um OVERALL
  3. PRODUCT SPECIFICATION : PS-35507-003
  4. MATING HOUSING : 35507-\*\*\*0  
 MATING TERMINAL : 50212-8000
  5. KINK

CKT NO	1	2	3	4	5	N-2	N-1	N
6 CKT OVER	-	A	B	-	-	B	A	-
5 CKT	A	B	-	B	A			
4 CKT	A	B	B	A				

31.3	28	32.3	3536215**	35362-15**	15
29.3	26	30.3	3536214**	35362-14**	14
27.3	24	28.3	3536213**	35362-13**	13
25.3	22	26.3	3536212**	35362-12**	12
23.3	20	24.3	3536211**	35362-11**	11
21.3	18	22.3	3536210**	35362-10**	10
19.3	16	20.3	3536209**	35362-09**	9
17.3	14	18.3	3536208**	35362-08**	8
15.3	12	16.3	3536207**	35362-07**	7
13.3	10	14.3	3536206**	35362-06**	6
12.3	8	12.3	3536205**	35362-05**	5
9.3	6	10.3	3536204**	35362-04**	4
.	.	.	ENG. NO.	ENG. NO.	CKT



**LEAD FREE**

30 over	±0.3
10 over 30 under	±0.25
10 under	±0.2
ANGLE	±3°
GENERAL TOLERANCE	

REVISED  
 EC NO: KOR2007-0144  
 DRWN:HJEONG 2007/05/11  
 CHKD:YSOOKIM 2007/05/22  
 APPR:YUNSIKKIM 2007/05/29

QUALITY SYMBOLS  
 ▽=0  
 ▽=0

GENERAL TOLERANCES (UNLESS SPECIFIED)

	mm	INCH
4 PLACES	±---	±---
3 PLACES	±---	±---
2 PLACES	±---	±---
1 PLACE	±---	±---
ANGULAR ±---°		

DRAFT WHERE APPLICABLE  
 MUST REMAIN WITHIN DIMENSIONS

DIMENSION STYLE  
 MM ONLY

DRAWN BY DATE  
 YSOOKIM 1996/09/11

CHECKED BY DATE  
 YSOOKIM 1996/09/11

APPROVED BY DATE  
 CWLEE 1996/09/11

MATERIAL NO.  
 ENTER PART

SIZE  
 A3

SCALE  
 5:1

DESIGN UNITS  
 METRIC

THIRD ANGLE PROJECTION

TITLE  
 2.0 W/B WAFER ASS'Y  
 -LEAD FREE-

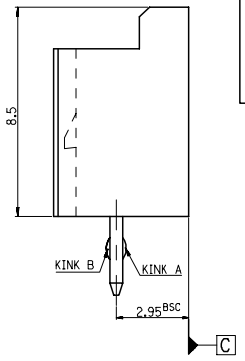
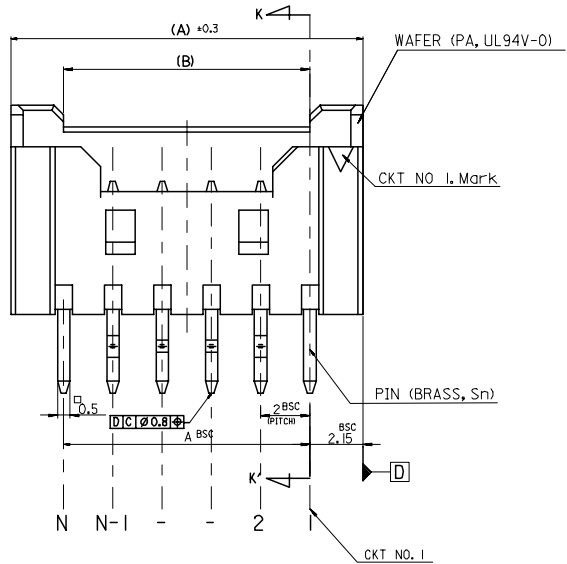
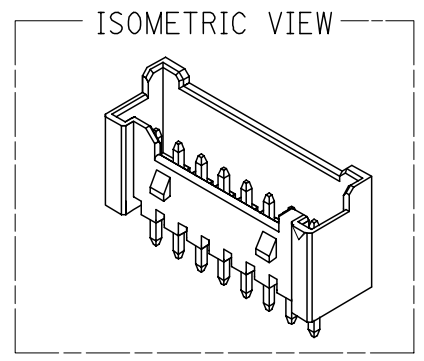
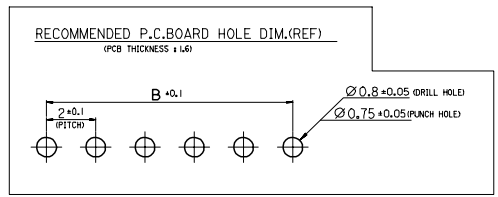
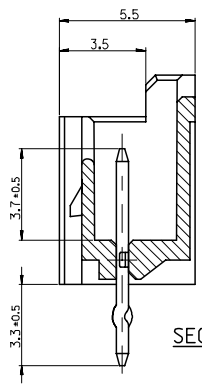
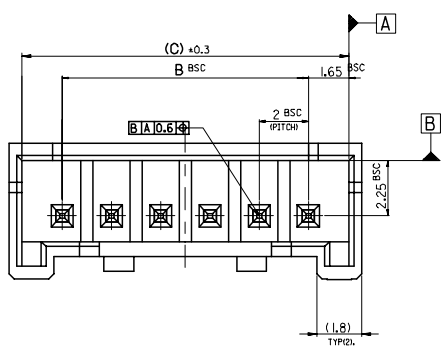
MOLEX INCORPORATED

DOCUMENT NO.  
 SD-35362-002

SHEET NO.  
 1 OF 3

THIS DRAWING CONTAINS INFORMATION THAT IS PROPRIETARY TO MOLEX INCORPORATED AND SHOULD NOT BE USED WITHOUT WRITTEN PERMISSION

10 9 8 7 6 5 4 3 2 1



**LEGEND**

SD-35362-\*\*\*\*

CKT NO. COLOR

0	: NATURAL
1	: BLACK
2	: RED
3	: YELLOW
4	: BLUE
5	: GREEN
6	: TUBE PACKING (Natural Color)
7	: TUBE PACKING (Red Color)
8	: TUBE PACKING (Blue Color)

FINAL GOOD (BULK) 5 : SELECTIVE KINK (LEAD FREE)  
6 : NONE KINK (LEAD FREE)

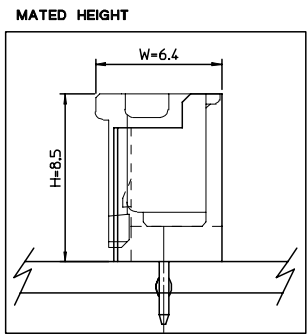
SUB ASSY (TUBE) 7 : SELECTIVE KINK (LEAD FREE)  
8 : NONE KINK (LEAD FREE)

**NOTES**

1. MATERIAL : WAFER : UNFILLED POLYAMIDE, UL94V-0  
PIN : BRASS
2. FINISHES : TERMINAL : Sn 2.3um OVERALL
3. PRODUCT SPECIFICATION : PS-35507-003
4. MATING HOUSING : 35507-\*\*0\*  
MATING TERMINAL : 50212-8000
5. KINK

CKT	CKT NO	1	2	3	-	-	N-2	N-1	N
16±20 CKT	-	A	B	-	-	B	A	-	-

41.3	38	42.3	3536220**	35362-20**	20
39.3	36	40.3	3536219**	35362-19**	19
37.3	34	38.3	3536218**	35362-18**	18
35.3	32	36.3	3536217**	35362-17**	17
33.3	30	34.3	3536216**	35362-16**	16
(C)	.	.	MATERIAL NO.	ENG. NO.	CKT



**LEAD FREE**

30 over	±0.3
10 over 30 under	±0.25
10 under	±0.2
ANGLE	±3°
GENERAL TOLERANCE	

REVISED EC NO: KOR2007-0144  
DRWN:HJEONG 2007/05/11  
CHKD:YSOOKIM 2007/05/22  
APPR:YUNSIKKIM 2007/05/30

QUALITY SYMBOLS  
▽=0  
△=0

DESCRIPTION  
REV

GENERAL TOLERANCES (UNLESS SPECIFIED)

	mm	INCH
4 PLACES	±---	±---
3 PLACES	±---	±---
2 PLACES	±---	±---
1 PLACE	±---	±---
ANGULAR ±---°		

DRAFT WHERE APPLICABLE MUST REMAIN WITHIN DIMENSIONS

DIMENSION STYLE MM ONLY

SCALE 5:1

DESIGN UNITS METRIC

THIRD ANGLE PROJECTION

DRAWN BY YSOOKIM DATE 1996/09/11

CHECKED BY JKOH DATE 1996/09/11

APPROVED BY CWLEE DATE 1996/09/11

MATERIAL NO. ENTER PART

TITLE 2.0 W/B WAFER ASS'Y -LEAD FREE-

MOLEX MOLEX INCORPORATED

DOCUMENT NO. SD-35362-002 SHEET NO. 3 OF 3

THIS DRAWING CONTAINS INFORMATION THAT IS PROPRIETARY TO MOLEX INCORPORATED AND SHOULD NOT BE USED WITHOUT WRITTEN PERMISSION

9 8 7 6 5 4 3 2 1

DWG. NO.  
SD-35362-003

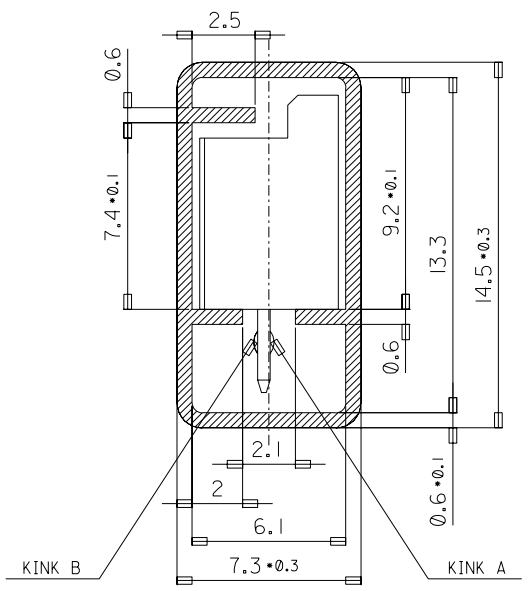
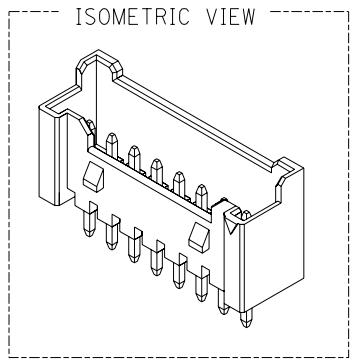
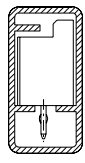
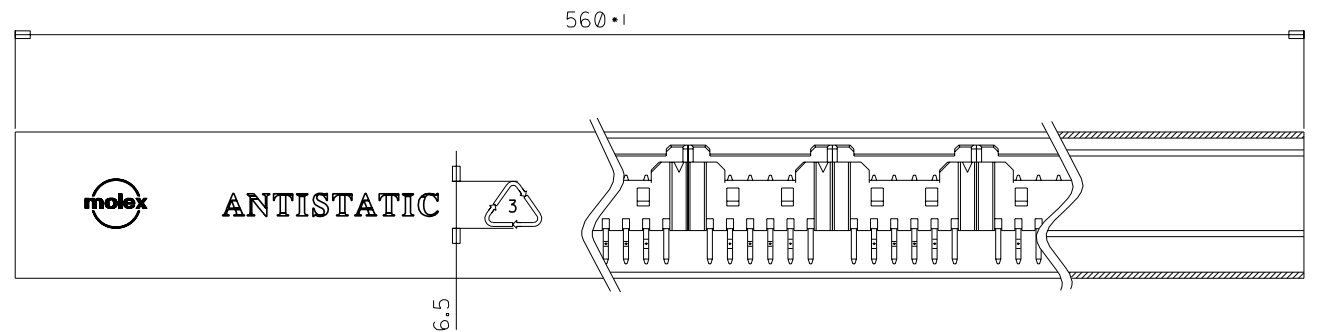
SIMILAR ITEM

PROJECT NO.

C

B

DO NOT SCALE DRAWING  
DIMENSION IN METRIC



**LEGEND.**

E-35362-\*\*\* \*\*

2-20 Circuits- [CKT NO.]

Final GOOD (Bulk)    5 : SELECTIVE KINK  
                                  6 : NONE KINK

Sub Assy (Tube)     7 : SELECTIVE KINK  
                                  8 : NONE KINK

COLOR & PACKING

- 0 : NATURAL
- 1 : BLACK
- 2 : RED
- 3 : YELLOW
- 4 : BLUE
- 5 : GREEN
- 6 : TUBE PACKING (Natural Color)
- 7 : TUBE PACKING (RED Color)
- 8 : TUBE PACKING (BLUE Color)

KINK

**NOTES**

1. MATERIAL : TUBE - TRANSLUCENT P.V.C (P-1000)  
Wafer - POLYAMIDE, UL94V-0  
PIN - BRASS SQ 0.5mm
2. BOW(CAMBER) : 1.0mm MAX/Total Length
3. DIMENSIONS GIVEN ACROSS CENTER LINES ARE SYMMETRICAL ABOUT THOSE CENTER LINES WITH HALF THE TOTAL LENGTH.
4. TOTAL TUBE LENGTH : 560mm ± 1mm
5. TWIST : 5° MAX./Total Length
6. BURRS : 0.2mm MAX.
7. SKEW : PRODUCTS MUST BE FLOWED SMOOTHLY WHEN THIS STICK IS PLACES 30° ANGLE.
8. THICKNESS : 0.6mm ± 0.1mm
9. ARTWORK : PER E-35900-0434 (SILK SCREEN COLOR : RED)
10. APPLICABLE STOPPER(RUBBER) : 35900-0435

**TABLE**

10	20**	-20**	20
10	19**	-19**	19
10	18**	-18**	18
10	17**	-17**	17
15	16**	-16**	16
15	15**	-15**	15
15	14**	-14**	14
15	13**	-13**	13
15	12**	-12**	12
20	11**	-11**	11
20	10**	-10**	10
25	09**	-09**	9
25	08**	-08**	8
30	07**	-07**	7
35	06**	-06**	6
40	05**	-05**	5
50	04**	-04**	4
60	03**	-03**	3
70	3536202**	35362-02**	2
QT'y	Material NO.	ENG. NO.	CKT

KINK TABLE(FOR 35362-\*\*\*\*)

CKT NO	1	2	3	4	5	N-2	N-1	N
6 CKT OVER	-	A	B	-	-	B	A	-
5 CKT	A	B	-	B	A			
4 CKT	A	B	B	A				
3 CKT	A	B	A					
2 CKT	None Kink							

RELEASED EC NO. KOR2004-0137 DRAWN: YSOOKIM 04/02/25 CHK: YUNSIKKIM APPR: C.W.LEE	QUALITY SYMBOLS MAJOR CRITICAL	GENERAL TOLERANCES: (UNLESS SPECIFIED)	SCALE 5 : 1	DESIGN UNITS <input checked="" type="checkbox"/> mm <input type="checkbox"/> INCH	THIRD ANGLE PROJECTION <input type="checkbox"/> mm <input type="checkbox"/> INCH	DIMENSIONS: <input type="checkbox"/> mm <input type="checkbox"/> INCH	SHT	REV
			DRAWN BY & DATE Y.SOO.Kim 00/12/11	CHECKED BY & DATE J.K.OH				
A	DESCRIPTION	DRAFT WHERE APPLICABLE MUST REMAIN WITHIN DIMENSIONS	ANGULAR: ± 1 °		MATERIAL NO. SD35362-003.DGN		DRAWING NO. SD-35362-003	
			THIS DRAWING CONTAINS INFORMATION THAT IS PROPRIETARY TO MOLEX INCORPORATED AND SHOULD NOT BE USED WITHOUT WRITTEN PERMISSION.		MATERIAL NO. SD35362-003		SHEET NO. 1 of 1	

LEAD FREE

8

7

6

5

4

3

2

MX-A3